

6

5

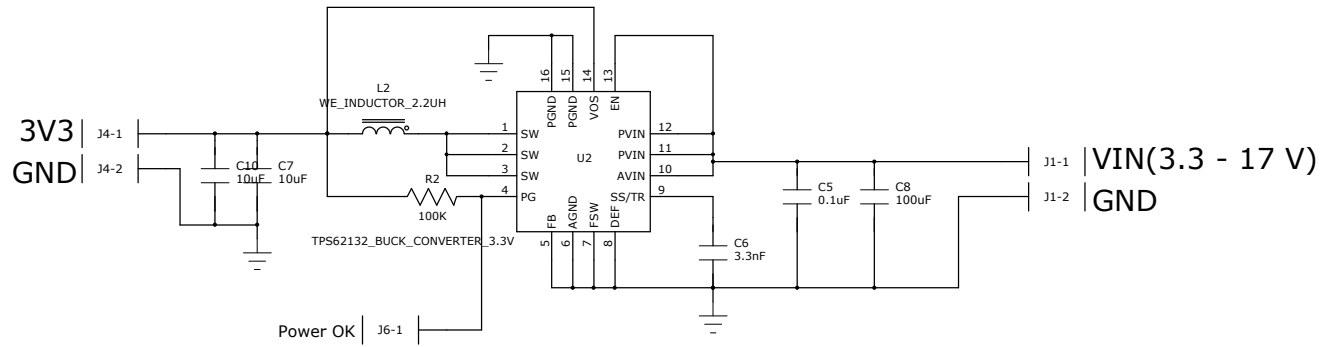
4

3

2

1

| REVISION RECORD | | | |
|-----------------|---------|-----------|-------|
| LTR | ECO NO: | APPROVED: | DATE: |
| | | | |
| | | | |
| | | | |



| | | | |
|--|-------|-------------|----------|
| COMPANY: | | | |
| TITLE: TPS62132 3-17 Vin -> 3,3 V DC-DC | | | |
| CODE: | SIZE: | DRAWING NO: | REV: |
| SCALE: | | | SHEET: 1 |

| | | | |
|------------------|------|--------|-----------|
| DRAWN: | M.Vä | DATED: | 15.1.2012 |
| CHECKED: | | DATED: | |
| QUALITY CONTROL: | | DATED: | |
| RELEASED: | | DATED: | |

D

D

C

C

B

B

A

A